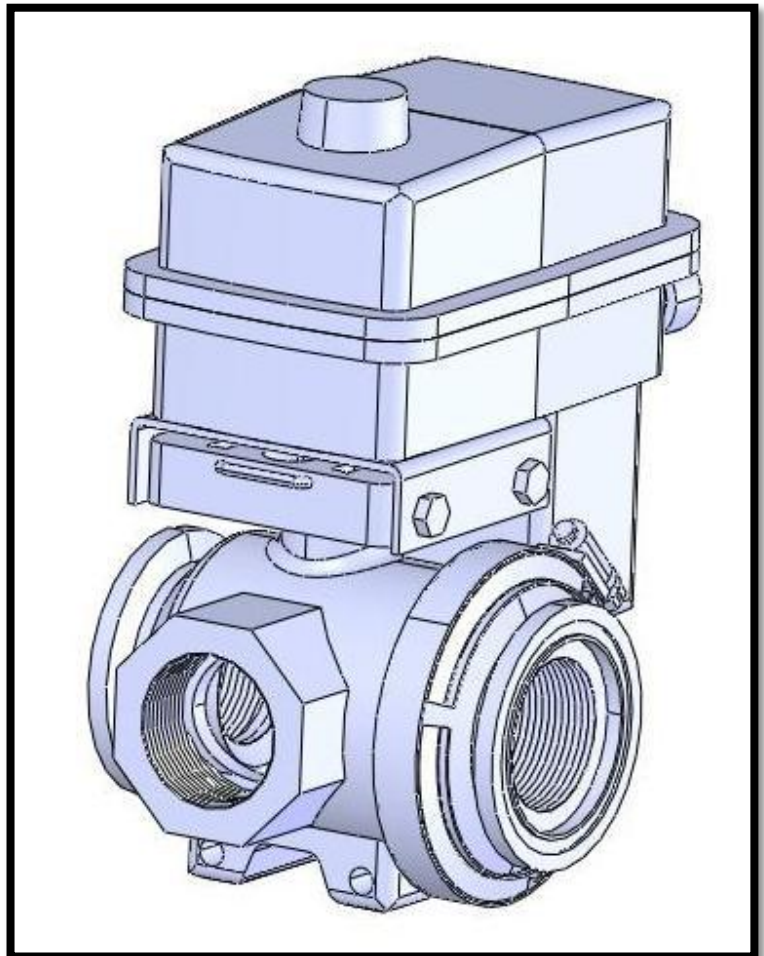
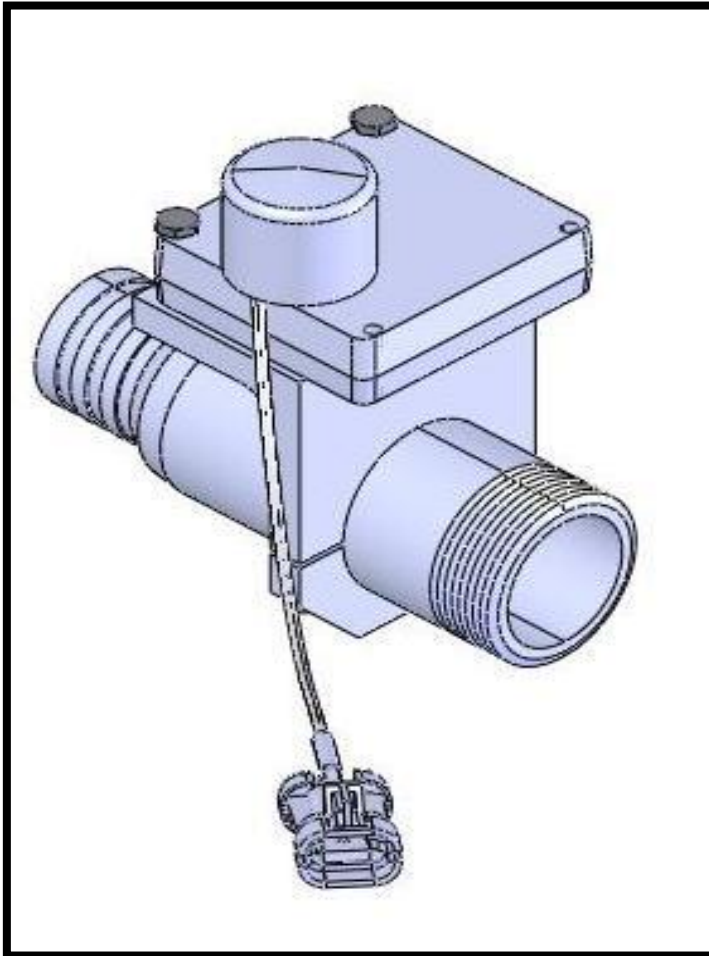


**3740 Boom Valve & 3744 Flow Control**

Replacement for ISOLAIR Spray Systems

Adaptable to all other systems



**ISOLAIR P/N 3744 FLOW CONTROL VALVE**

ISOLAIR Flow Control Valves are designed for easy pilot control of boom pressure in flight. The result is more precise application and less waste.

- **Power Requirements:** ..... 12 or 24 VDC
- **Inlet Thread:** ..... 1 ½" National US
- **Outlet Thread:** ..... 1 ½" Hose Barb

**ISOLAIR P/N 3740 BOOM VALVE**

ISOLAIR Boom Valves are designed for superior ease of operation and maintenance. Designed as direct replacements for ISOLAIR systems, they are adaptable to other brand spray systems.

- **Power Requirements:** ..... 12 or 24 VDC
- **Inlet Thread:** ..... 1 ½" National US
- **Outlet Thread:** ..... 1 ½" National US